

JAOHAR RIMA

Specification

Name:

JAOHAR RIMA

MMSI:

9121883/SLR10202

Vessel Type:

GENERAL CARGO SHIP

Gross Tonnage:

3999

Summer DWT:

6003 t

Flag:

SIERRA LEONE

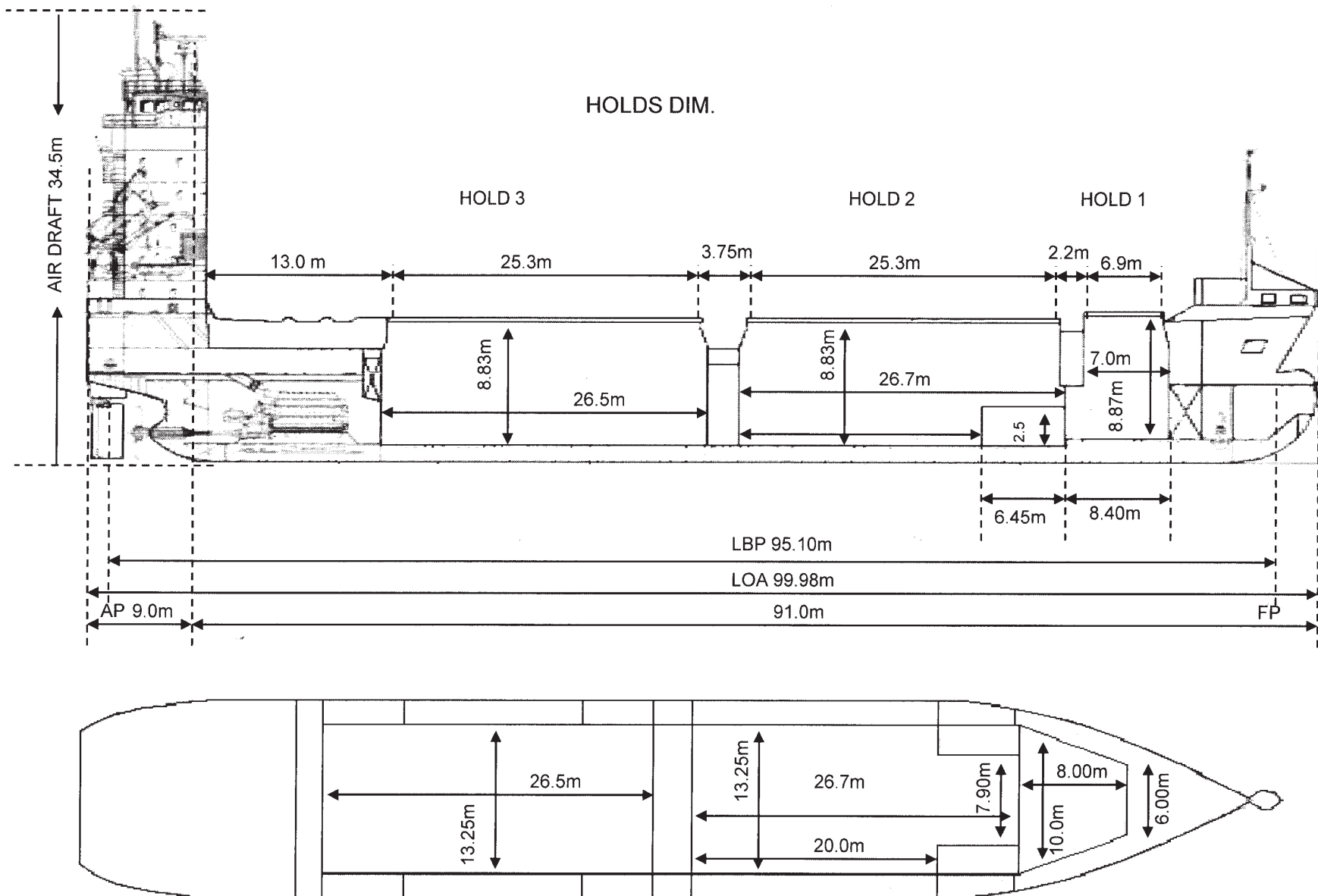
MAIN ENGINE POWER/SPEED:

MAK 3960 KW/12KN

BOW THRUSTER POWER:

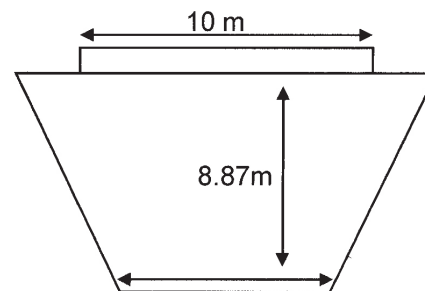
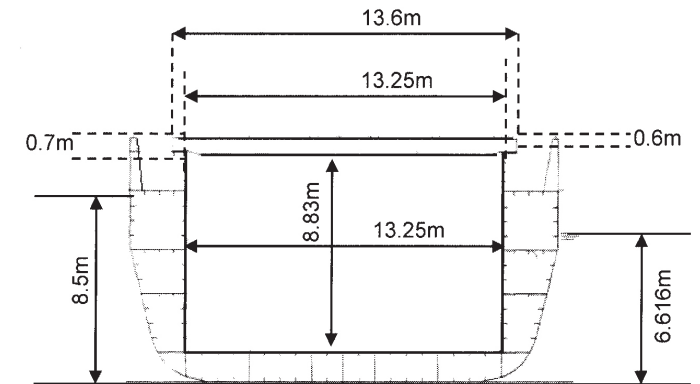
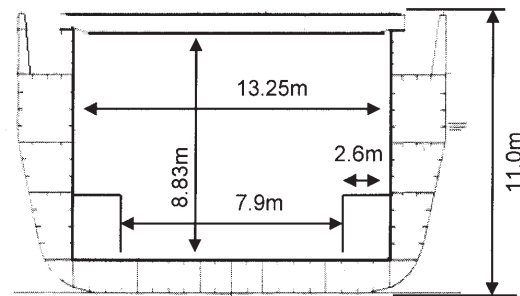
500KW





JAOHAR RIMA

VESSEL NAME	JAOHAR RIMA
VESSEL FLAG/PORT HOME	SIERRA LEONE / FREE TOWN
EX NAME / EX FLAG	MARGARETA B / ANTIGUA & BARBUDA
VESSEL TYPE	GENERAL CARGO
IMO/ OFFICIAL NR.	9121883 / SLR10202
CALL SIGN/MMSI NR.	9LU2215 / 667001412
BUILT AND PLACE	1-1998 J.J.SIETAS HAMBURG
OWNER NAME AND ADDRESS	JAOHAR RIMA MARINE CO. / MARSHALL ISLAND
SHIP MANAGEMENT & ADDRESS	LYNDON MARINE LTD / CONSTANTA - ROMANIA
MANAGEMENT EMAIL	manager@lyndonmarine.com
CALSSIFICATION	DROMON BUREAU OF SHIPPING
P&I / INSURANCE	BRITISH MARINE
GRT / NRT	3999 / 1994
DWT/DWCC/ SUMMER DRAFT	6003t / 5500t / 7.099m
DISPLACEMENT / TPC / FWA	8743t / 15.2t / 142mm
LOA/LBP/BREADTH/MOULDED DEPTH/AIR DRAFT	99.95m / 95.1m / 18.24m / 8.5m / 45m
NUMBER OF HOLDS/NUMBER HATCH	3/3
HATCH COVER TYPE	HYDROLIC FOLDING TYPE
HOLDS CAPACITY GRAIN/BALES	6712 CBM/6700 CBM
HOLDS DIM	1(8x9m) 2(26.70x13.25m) 3(26.5x13.25m)
HATCH DIM	1(7x10m) 2(25.30 x 13.25m) 3(25.30 x 13.25m)
CARGO GEAR NR & CAPACITY	N/A
MAIN ENGINE POWER / SPEED	MAK 3960 KW / 12KN
BOW THRUSTER POWER	500 KW



D.B FLOOR FWD 6m AFT PART 10m
HOLD NR 1

OCMIS
maritime

+34 605 555 655

www.ocmis.es

C/Cerdan Tallada, 23
Castellón

ocmis@ocmis.es
gogo@ocmis.es